

100-105

Cisco

Interconnecting Cisco Networking Devices Part 1

OfficialCerts.com is a reputable IT certification examination guide, study guides and audio exam provider. We ensure that you pass your 100-105 exam in first attempt and also get high scores to acquire Cisco certification.

If you use OfficialCerts 100-105 Certification questions and answers, you will experience actual 100-105 exam questions/answers. We know exactly what is needed and have all the exam preparation material required to pass the exam. Our Cisco exam prep covers over 95% of the questions and answers that may be appeared in your 100-105 exam. Every point from pass4sure 100-105 PDF, 100-105 review will help you take Cisco 100-105 exam much easier and become Cisco certified.

Here's what you can expect from the OfficialCerts Cisco 100-105 course:

- * Up-to-Date Cisco 100-105 questions as experienced in the real exam.*
- * 100% correct Cisco 100-105 answers you simply can't find in other 100-105 courses.*
- * All of our tests are easy to download. Your file will be saved as a 100-105 PDF.*
- * Cisco 100-105 brain dump free content featuring the real 100-105 test questions.*

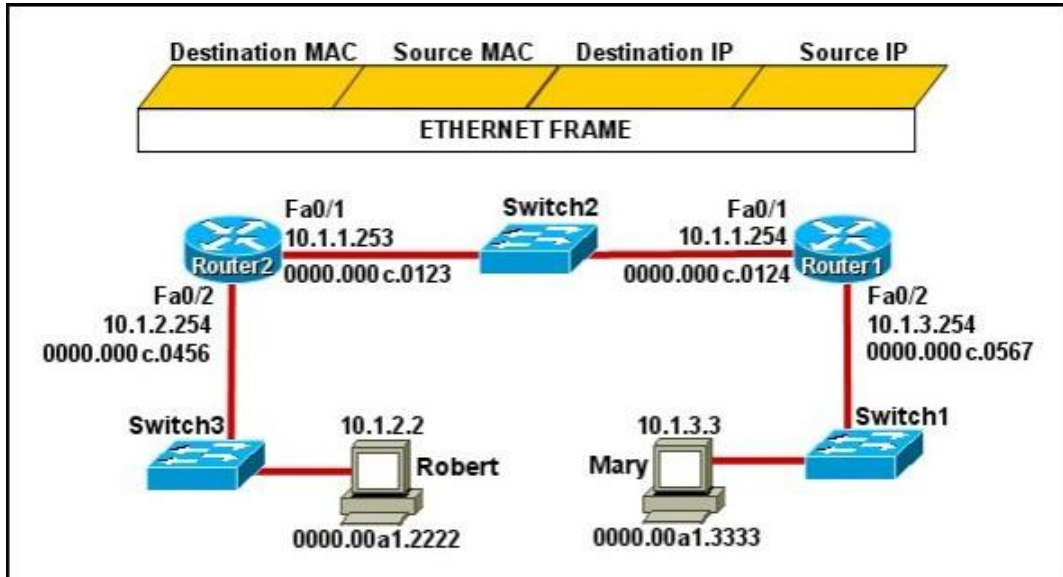
Cisco 100-105 certification exam is of core importance both in your Professional life and Cisco certification path. With Cisco certification you can get a good job easily in the market and get on your path for success. Professionals who passed Cisco 100-105 exam training are an absolute favorite in the industry. You will pass Cisco 100-105 certification test and career opportunities will be open for you.

<http://stmrehab.org/?dumps=exams.asp?examcode=100-105>



Section 1: Sec One (1 to 40)
Details:Topic 1, Network Fundamentals

QUESTION: 1
Refer to the exhibit.



Mary is sending an instant message to Robert. The message will be broken into a series of packets that will traverse all network devices. What addresses will populate these packets as they are forwarded from Router1 to Router2?

A.	<table border="1"> <thead> <tr> <th>Destination MAC</th> <th>Source MAC</th> <th>Destination IP</th> <th>Source IP</th> </tr> </thead> <tbody> <tr> <td>0000.00a1.2222</td> <td>0000.00a1.3333</td> <td>10.1.2.2</td> <td>10.1.3.3</td> </tr> </tbody> </table>	Destination MAC	Source MAC	Destination IP	Source IP	0000.00a1.2222	0000.00a1.3333	10.1.2.2	10.1.3.3
Destination MAC	Source MAC	Destination IP	Source IP						
0000.00a1.2222	0000.00a1.3333	10.1.2.2	10.1.3.3						
B.	<table border="1"> <thead> <tr> <th>Destination MAC</th> <th>Source MAC</th> <th>Destination IP</th> <th>Source IP</th> </tr> </thead> <tbody> <tr> <td>0000.000c.0123</td> <td>0000.000c.0124</td> <td>10.1.2.2</td> <td>10.1.3.3</td> </tr> </tbody> </table>	Destination MAC	Source MAC	Destination IP	Source IP	0000.000c.0123	0000.000c.0124	10.1.2.2	10.1.3.3
Destination MAC	Source MAC	Destination IP	Source IP						
0000.000c.0123	0000.000c.0124	10.1.2.2	10.1.3.3						
C.	<table border="1"> <thead> <tr> <th>Destination MAC</th> <th>Source MAC</th> <th>Destination IP</th> <th>Source IP</th> </tr> </thead> <tbody> <tr> <td>0000.000c.0123</td> <td>0000.000c.0124</td> <td>10.1.1.253</td> <td>10.1.1.254</td> </tr> </tbody> </table>	Destination MAC	Source MAC	Destination IP	Source IP	0000.000c.0123	0000.000c.0124	10.1.1.253	10.1.1.254
Destination MAC	Source MAC	Destination IP	Source IP						
0000.000c.0123	0000.000c.0124	10.1.1.253	10.1.1.254						
D.	<table border="1"> <thead> <tr> <th>Destination MAC</th> <th>Source MAC</th> <th>Destination IP</th> <th>Source IP</th> </tr> </thead> <tbody> <tr> <td>0000.00a1.2222</td> <td>0000.00a1.3333</td> <td>10.1.1.253</td> <td>10.1.1.254</td> </tr> </tbody> </table>	Destination MAC	Source MAC	Destination IP	Source IP	0000.00a1.2222	0000.00a1.3333	10.1.1.253	10.1.1.254
Destination MAC	Source MAC	Destination IP	Source IP						
0000.00a1.2222	0000.00a1.3333	10.1.1.253	10.1.1.254						
E.	<table border="1"> <thead> <tr> <th>Destination MAC</th> <th>Source MAC</th> <th>Destination IP</th> <th>Source IP</th> </tr> </thead> <tbody> <tr> <td>0000.000c.0456</td> <td>0000.000c.0567</td> <td>10.1.2.2</td> <td>10.1.3.3</td> </tr> </tbody> </table>	Destination MAC	Source MAC	Destination IP	Source IP	0000.000c.0456	0000.000c.0567	10.1.2.2	10.1.3.3
Destination MAC	Source MAC	Destination IP	Source IP						
0000.000c.0456	0000.000c.0567	10.1.2.2	10.1.3.3						

- A. Option A
- B. Option B
- C. Option C
- D. Option D
- E. Option E

Answer: B

Explanation:

The Source and Destination IP address is not going to change. Host 1 IP address will stay as being the source IP and the Host 2 IP address will stay the destination IP address.

Those two are not going to change.

For the MAC address it is going to change each time it goes from one hope to another. (Except switches... they don't change anything)

Frame leaving HOST 1 is going to have a source MAC of Host 1 and a destination MAC of Router 1.

Router 1 is going to strip that info off and then will make the source MAC address of Router1's exiting interface, and making Router2's interface as the destination MAC address.

Then the same will happen... Router2 is going to change the source/destination info to the source MAC being the Router2 interface that it is going out, and the destination will be Host2's MAC address.

QUESTION: 2

A workstation has just resolved a browser URL to the IP address of a server. What protocol will the workstation now use to determine the destination MAC address to be placed into frames directed toward the server?

- A. HTTP
- B. DNS
- C. DHCP
- D. RARP
- E. ARP

Answer: E

Explanation:

The RARP protocol is used to translate hardware interface addresses to protocol addresses. The RARP message format is very similar to the ARP format. When the booting computer sends the broadcast ARP request, it places its own hardware address in both the sending and receiving fields in the encapsulated ARP data packet. The RARP server will fill in the correct sending and receiving IP addresses in its response to the message. This way the booting computer will know its IP address when it gets the message from the RARP server

QUESTION: 3

Which protocol uses a connection-oriented service to deliver files between end systems?

- A. TFTP
- B. DNS
- C. FTP
- D. SNMP
- E. RIP

Answer: C

Explanation:

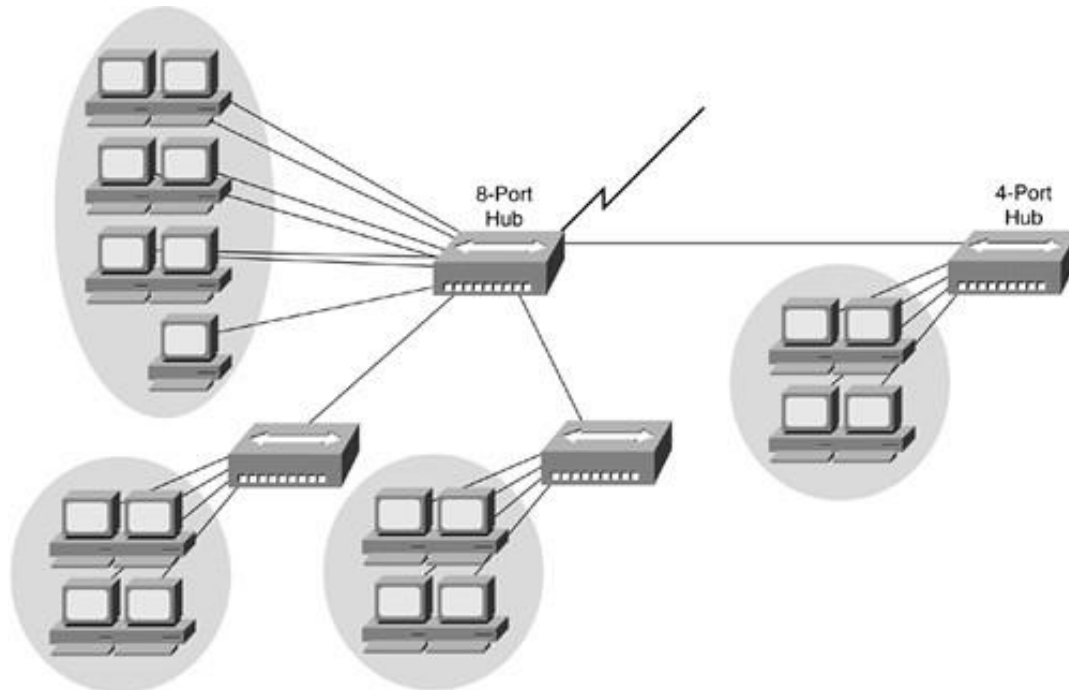
TCP is an example of a connection-oriented protocol. It requires a logical connection to be established between the two processes before data is exchanged. The connection must be maintained during the entire time that communication is taking place, then released afterwards. The process is much like a telephone call, where a virtual circuit is established--the caller must know the person's telephone number and the phone must be answered--before the message can be delivered.

TCP/IP is also a connection-oriented transport with orderly release. With orderly release, any data remaining in the buffer is sent before the connection is terminated. The release is accomplished in a three-way handshake between client and server processes. The connection-oriented protocols in the OSI protocol suite, on the other hand, do not support orderly release. Applications perform any handshake necessary for ensuring orderly release.

Examples of services that use connection-oriented transport services are telnet, rlogin, and ftp.

QUESTION: 4

Refer to the exhibit.



If the hubs in the graphic were replaced by switches, what would be virtually eliminated?

- A. broadcast domains
- B. repeater domains
- C. Ethernet collisions
- D. signal amplification
- E. Ethernet broadcasts

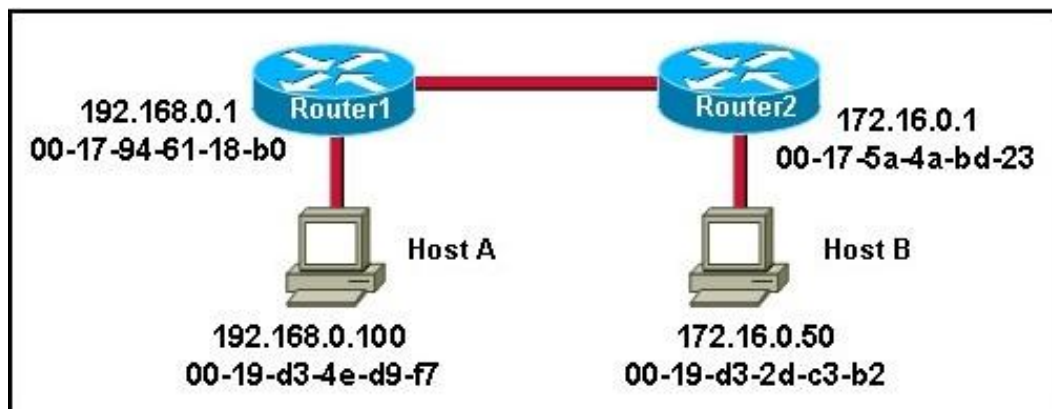
Answer: C

Explanation:

Modern wired networks use a network switch to eliminate collisions. By connecting each device directly to a port on the switch, either each port on a switch becomes its own collision domain (in the case of half duplex links) or the possibility of collisions is eliminated entirely in the case of full duplex links.

QUESTION: 5

Refer to the exhibit.



Host A is sending a packet to Host B for the first time. What destination MAC address will Host A use in the ARP request?

- A. 192.168.0.1
- B. 172.16.0.50
- C. 00-17-94-61-18-b0
- D. 00-19-d3-2d-c3-b2
- E. ff-ff-ff-ff-ff-ff
- F. 255.255.255.255

Answer: E

Explanation:

For the initial communication, Host A will send a broadcast ARP (all F's) to determine the correct address to use to reach the destination.

ARP sends an Ethernet frame called an ARP request to every host on the shared link-layer legmen. The Ethernet header includes the source host MAC address and a destination address of all Fs representing a broadcast frame. The ARP request contains the sender's MAC and IP address and the target (destination) IP address. The target's MAC address is set to all 0s.

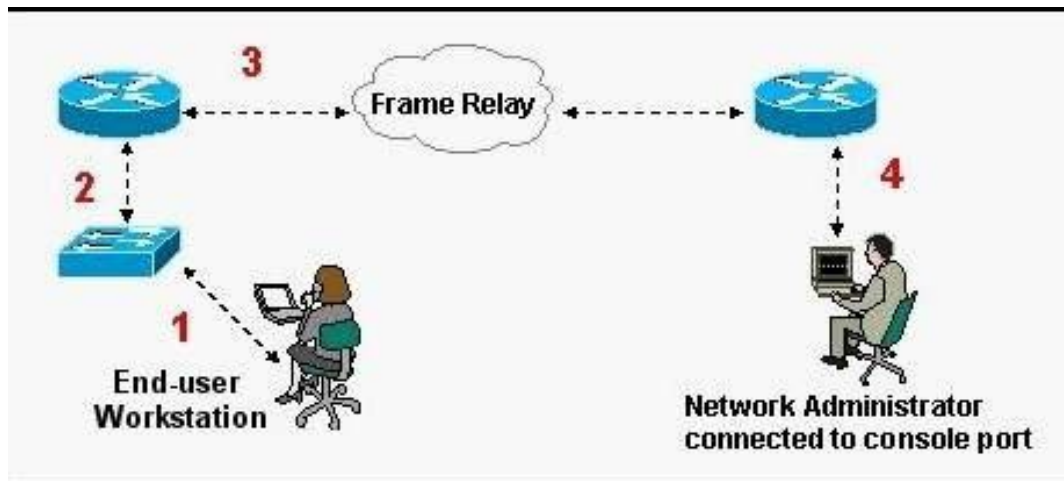
ARP Request

Reference:

<http://www.technicalhowto.com/protocols/arp/arp.html>

QUESTION: 6

Refer to the exhibit.



What kind of cable should be used to make each connection that is identified by the numbers shown?

- A. 1 - Ethernet Crossover cable
2 - Ethernet straight-through cable 3 - Fiber Optic cable
4 - Rollover cable
- B. 1 - Ethernet straight-through cable 2 - Ethernet straight-through cable
3 - Serial cable
4 - Rollover cable
- C. 1 - Ethernet rollover cable 2 - Ethernet crossover cable 3 - Serial cable
4 - Null-modem cable
- D. 1 - Ethernet straight-through cable 2 - Ethernet Crossover cable
3 - Serial cable
4 - Rollover cable
- E. 1 - Ethernet straight-through cable 2 - Ethernet Crossover cable
3 - Serial cable
4 - Ethernet Straight-through cable

Answer: B

Explanation:

When connecting a PC to a switch, a standard Ethernet straight through cable should be used. This same cable should also be used for switch to router connections. Generally speaking, crossover cables are only needed when connecting two like devices (PC-PC, switch-switch, router-router, etc).

Routers connect to frame relay and other WAN networks using serial cables. Rollover cables are special cables used for connecting to the console ports of Cisco devices.

QUESTION: 7

Refer to the exhibit.

SwitchA# **show mac-address-table**

< non-essential output omitted >

Destination Address	Address Type	VLAN	Destination Port
00b0.d056.fe4d	Dynamic	1	FastEthernet0/3
00b0.d043.ac2e	Dynamic	1	FastEthernet0/4
00b0.d0fe.ac32	Dynamic	1	FastEthernet0/5
00b0.d0da.cb56	Dynamic	1	FastEthernet0/6

Frame received by SwitchA:

Source MAC	Destination MAC	Source IP	Destination IP
00b0.d056.fe4d	00b0.d0da.cb56	192.168.40.5	192.168.40.6

SwitchA receives the frame with the addressing shown. According to the command output also shown in the exhibit, how will SwitchA handle this frame?

- A. It will drop the frame.
- B. It will forward the frame out port Fa0/6 only.
- C. It will flood the frame out all ports.
- D. It will flood the frame out all ports except Fa0/3.

Answer: B

Explanation:

Switches keep the learned MAC addresses in a table, so that when a frame comes in with a destination MAC address that the switch has already learned, it will forward it to that port only. If a frame comes in with a destination MAC that is not already in the MAC address table, then the frame will be flooded to all ports except for the one that it came in on. In this case, Switch A already knows that 00b0.d0da.cb56 resides on port fa0/6, so it will forward the frame out that port.

QUESTION: 8

Which statements accurately describe CDP? (Choose three.)

- A. CDP is an IEEE standard protocol.
- B. CDP is a Cisco proprietary protocol.
- C. CDP is a datalink layer protocol.
- D. CDP is a network layer protocol.
- E. CDP can discover directly connected neighboring Cisco devices.
- F. CDP can discover Cisco devices that are not directly connected.

OfficialCerts.com Certification Exam Full Version Features;

- Verified answers researched by industry experts.
- Exams **updated** on regular basis.
- Questions, Answers are downloadable in **PDF** format.
- **No authorization** code required to open exam.
- **Portable** anywhere.
- 100% success **Guarantee**.
- **Fast**, helpful support 24x7.

View list of All exams we offer;

<http://www.officialcerts.com/allexams.asp>

To contact our Support;

<http://www.officialcerts.com/support.asp>

View FAQs

<http://www.officialcerts.com/faq.asp>

Download All Exams Samples

<http://www.officialcerts.com/samples.asp>

To purchase Full Version and updated exam;

<http://www.officialcerts.com/allexams.asp>



Shop now using **PayPal**



3COM	CompTIA	Filemaker	IBM	LPI	OMG	Sun
ADOBE	ComputerAssociates	Fortinet	IISFA	McAfee	Oracle	Sybase
APC	CWNP	Foundry	Intel	McData	PMI	Symantec
Apple	DELL	Fujitsu	ISACA	Microsoft	Polycom	TeraData
BEA	ECCouncil	GuidanceSoftware	ISC2	Mile2	RedHat	TIA
BICSI	EMC	HDI	ISEB	NetworkAppliance	Sair	Tibco
CheckPoint	Enterasys	Hitachi	ISM	Network-General	SASInstitute	TruSecure
Cisco	ExamExpress	HP	Juniper	Nokia	SCP	Veritas
Citrix	Exin	Huawei	Legato	Nortel	See-Beyond	Vmware
CIW	ExtremeNetworks	Hyperion	Lotus	Novell	Google	

You have made the
Right Choice

You are becoming member of most comprehensive, accurate, highest quality and lowest cost certification resource in the world.

